



## K4185 Laundry and Drawstring Bags

One Size

Laundry Bag A is fully lined, with a drawstring closure and purchased webbing for strap.  
Drawstring Bag B can be used for washing lingerie or to store valuables.

**FABRICS:** Designed for light to medium weight woven fabrics.

**Suggested Fabrics:** A: Home decorating fabrics, denim. B: Athletic mesh, ripstop.

**MATERIAL REQUIRED:** Fabric requirement allows for nap, one-way design or shading.

Extra fabric may be needed to match design or for shrinkage.

### FABRIC 45", 60" (115, 152 cm) WIDE

Laundry Bag A -  $\frac{7}{8}$  yd (0.8 m)

Contrast A -  $\frac{7}{8}$  yd (0.8 m)

Drawstring Bag B -  $\frac{1}{2}$  yd (0.5 m)

### FUSIBLE INTERFACING 18", 20" (46, 51 cm) WIDE

Fusible Interfacing A -  $\frac{5}{8}$  yd (0.6 m)

### FABRIC 45" (115 cm) WIDE

Lining A -  $1\frac{1}{2}$  yd (1.4 m)

### NOTIONS:

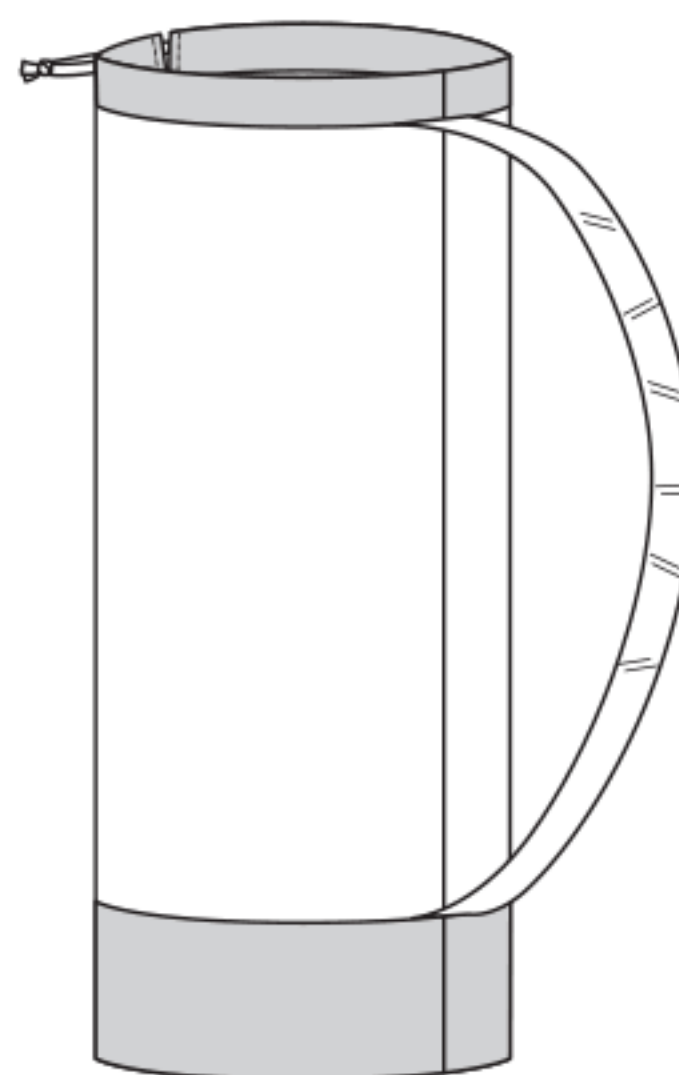
**Laundry Bag A:**

1 yd (1.0 m) of 1" (2.5 cm) webbing,

$1\frac{5}{8}$  yd (1.5 m) of  $\frac{1}{4}$ " (6 mm) or  $\frac{1}{2}$ " (1.3 cm) cord

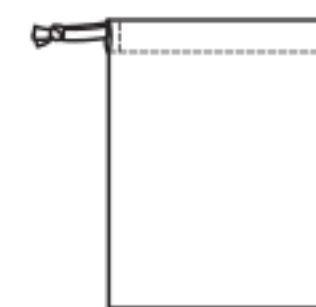
**Drawstring Bag B:**

$\frac{3}{4}$  yd (0.7 m) of  $\frac{1}{4}$ " (6 mm) cord



13"W x 31 1/2" H  
(33 cm x 80 cm)

A



7"W x 9" H  
(18 cm x 23 cm)

B